

NOTE:

FOR MULTIPLE ACCESSIBLE PARKING SPACES IN A ROW, THE DESIGN ENGINEER HAS THE OPTION OF USING THE ABOVE SHOWN UNIT IN A COMBINATION OF LEFT-HANDED AND RIGHT-HANDED LAYOUTS IF IT PROVIDES FOR BETTER SITE DESIGN.

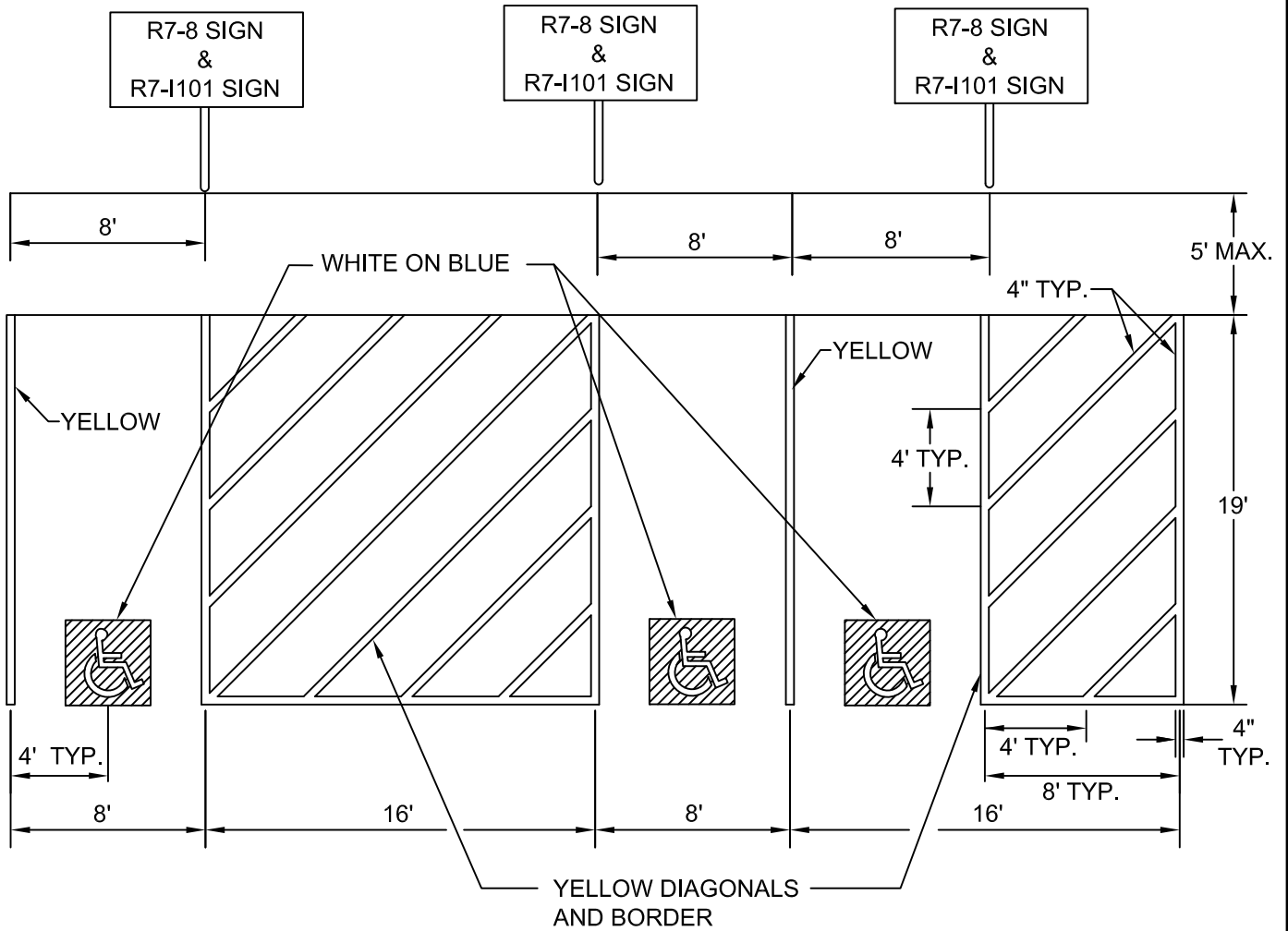


**CITY OF BATAVIA
PUBLIC WORKS**

SHEET: 2 OF 4
DATE: 1/1/16

ACCESSIBLE PARKING SPACE MARKINGS

STANDARD NO. 7.12



**CITY OF BATAVIA
PUBLIC WORKS**

SHEET: 3 OF 4
DATE: 1/1/16

ACCESSIBLE PARKING SPACE MARKINGS

STANDARD NO. 7.12

NOTES FOR ACCESSIBLE PARKING SPACES:

1. EACH PARKING SPACE SHALL BE AT LEAST 16' WIDE, WITH AN 8' WIDE ACCESS AISLE.
2. ADJACENT ACCESSIBLE PARKING SHALL NOT SHARE A COMMON ACCESS AISLE.
3. SIGNS SHALL BE VERTICALLY MOUNTED ON A PERMANENT POST OR A WALL AT THE FRONT CENTER BETWEEN THE SPACE AND THE ACCESS AISLE NO MORE THAN 5' HORIZONTALLY FROM THE FRONT OF A PARKING SPACE AND SET A MINIMUM OF 4' FROM THE FINISHED GRADE TO THE BOTTOM OF THE "\$250 FINE" SIGN.
4. ACCESSIBLE PARKING SIGNS SHALL ALSO EXHIBIT THE WORDS "\$250 FINE".
5. PARKING SPACES DESIGNED FOR PERSONS WITH DISABILITIES AND ACCESSIBLE PASSENGER LOADING ZONES THAT SERVE A PARTICULAR BUILDING, SHALL BE LOCATED ON THE SHORTEST POSSIBLE ACCESSIBLE CIRCULATION ROUTE TO AN ACCESSIBLE ENTRANCE OF THE BUILDING.
6. IN SEPARATE PARKING STRUCTURES OR LOTS THAT DO NOT SERVE A PARTICULAR BUILDING, PARKING SPACES FOR PERSONS WITH DISABILITIES SHALL BE LOCATED ON THE SHORTEST POSSIBLE CIRCULATION ROUTE TO AN ACCESSIBLE PEDESTRIAN ENTRANCE OF THE PARKING FACILITY.



ACCESSIBLE PARKING SIGN (R7-8)

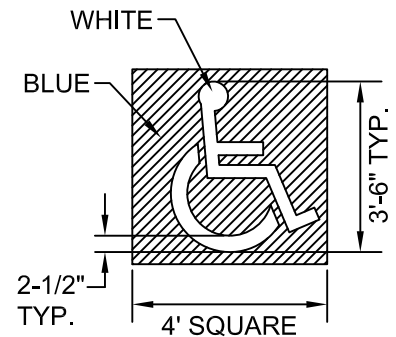


"\$250 FINE" SIGN (R7-1101), OR AS REQUIRED PER CITY CODE



VAN ACCESSIBLE SIGN (OPTIONAL)
18" x 9"
2" SERIES D LETTERS

# OF ACCESSIBLE SPACES REQUIRED PER # OF OFF STREET PARKING	
TOTAL OFF STREET PARKING SPACES REQUIRED	REQUIRED MINIMUM NUMBER OF ACCESSIBLE PARKING SPACES
1 TO 25	1
26 TO 50	2
51 TO 75	3
76 TO 100	4
101 TO 150	5
151 TO 200	6
201 TO 300	7
301 TO 400	8
401 TO 500	9
501 TO 1000	2% OF TOTAL NUMBER
OVER 1000	20 PLUS 1 FOR EACH 100 OVER 1000



ACCESSIBLE SYMBOL LINES SHALL BE WHITE.



**CITY OF BATAVIA
PUBLIC WORKS**

SHEET: 4 OF 4
DATE: 1/1/16

ACCESSIBLE PARKING SPACE MARKINGS

STANDARD NO. 7.12