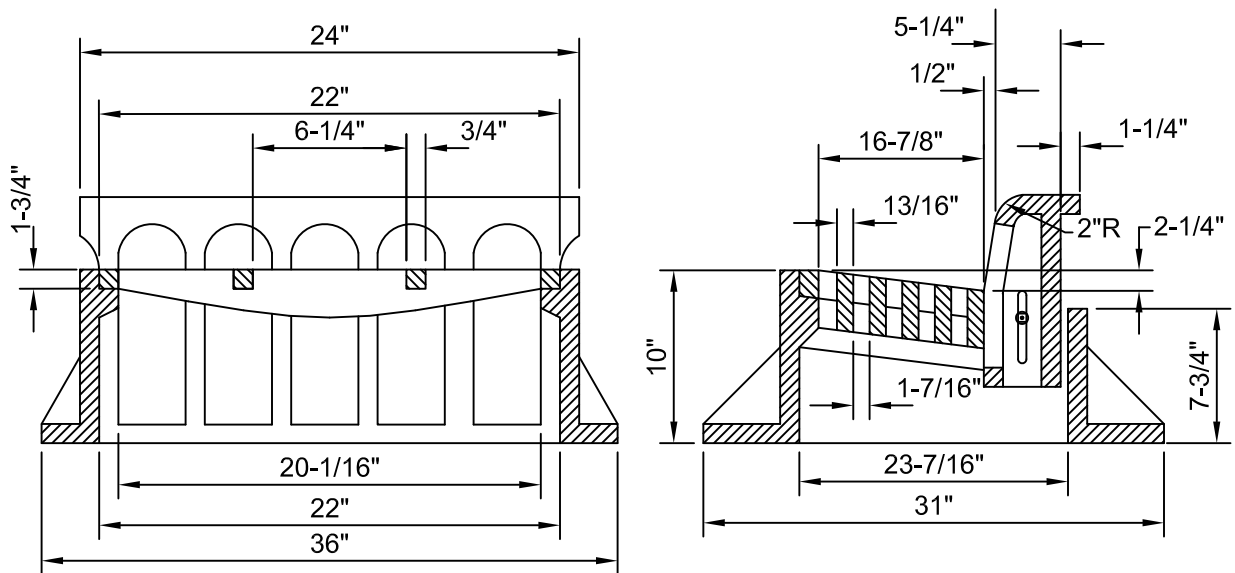


PLAN



NOTES:

1. GRATE & CASTING SHALL BE EAST JORDAN 7221 OR NEENAH R-3278-A OR ALTERNATE AS APPROVED BY THE CITY ENGINEER.
2. WITH CITY ENGINEER APPROVAL, EAST JORDAN 7000 WITH M3 GRATE MAY SUBSTITUTE IN SITUATIONS WHERE AN INLET IS UNAVOIDABLY LOCATED IN A DEPRESSED CURB.
3. ALL CASTINGS SHALL BE SHOP PAINTED WITH AN ASPHALTIC BASE.



**CITY OF BATAVIA
PUBLIC WORKS**

SHEET: 1 OF 1
DATE: 06/02/2020

B6.12 BARRIER CURB & GUTTER AT INLETS

STANDARD NO. 7.03